

Smart Node Touch Switches

Model: TS.4S1R

Product Guidance



Table of Contents

Table of contents	2
1.About Touch Switches.....	3
2. Smart Node Touch Switch TS.4S1R	4
3. Basic Load explanation.....	5
3.1 Power Supply.....	5
3.2 Front-End Touch Board.....	8
4. Installation Guide.....	10
4.1 Power Supply Installation.....	10
4.2 Touch Board with the power supply	12
5. Operations.....	13
6. Installation – Special Case	16
5.1 Invertor Connections.....	16
5.2 Two-Way Connection.....	16
6. Declaration.....	18
7. GUARANTEE and WARRANTY period.....	19

1. About Touch Switches

This section gives you a brief introduction to the Touch Switches segment. The Touch Switches can replace the traditional switches. Using Smart Node Touch Switches, one can control all the lights, fans, device connected through the plug (AC, TV, phone charger and many more) connected to it. All the appliances can also be controlled using our remote.

Smart Node Touch Switches are modular. We have different models in different modular sizes like 6M, 4M and 2M. This Touch Switches are compatible with the Norisys electrical plates. In a single Norisys plate, we can add Smart Node Touch Board along with other Norisys accessories like 6A plug, 16A plug, USB sockets and many others.

We can also customize our Touch Switches to be compatible with other electrical plates of other major companies like Legrand, Schneider and many others. This customization is only done on a prior order to the company.

Smart Node Touch Switches are capable of regulating multiple loads from a single regulator present. This is a very unique feature of the Smart Node.

Smart Node has 8 different modules in Touch Switches: TS.8S1R, TS.8S, TS.4S1R, TS.4S, TS.2S NL, TS.2S HL, TS.1C and TS.1B.

The advantages of using the Smart Node Touch Switches are:

- All the loads can be operated with an IR remote also
- Multiple on-board dimming using a single regulator
- There is always a live reflection of the state of the loads on the Touch Switch even if the loads are operated using remote
- The Smart Node Touch Switches adds elegant beauty to the interior of any house
- There is no problem of Touch Switches reorganization during the night as there is an option to keep on the dim white light
- It is shock-proof and water-resistant
- It is compact so more accessories can be adjusted in less space
- It is retrofit

2. Smart Node Touch Switch TS.4S1R

Smart Node Touch Switch TS.4S1R can connect to four different types of loads. You can turn on/off, regulate (light intensity as well as fan speed) and lock the appliances connected to it. The four different types of load include support of a humming-free fan load, a dimmable light load, a regular load and a heavy load. The load combination in a single module is a major uniqueness of Smart Node. The combination of the load possible with TS.4S1R is described in the further sections.

Total Loads: 4

Modular: 4M

Colour Available: Black/White

Two-way possibility: 1 regular load

Invertor connection: Possible

Here, in TS.4S1R model:

4S indicates a total of 4 Touch Pads (a total of 4 loads)

1R indicates 1 Regulator which can have multiple uses

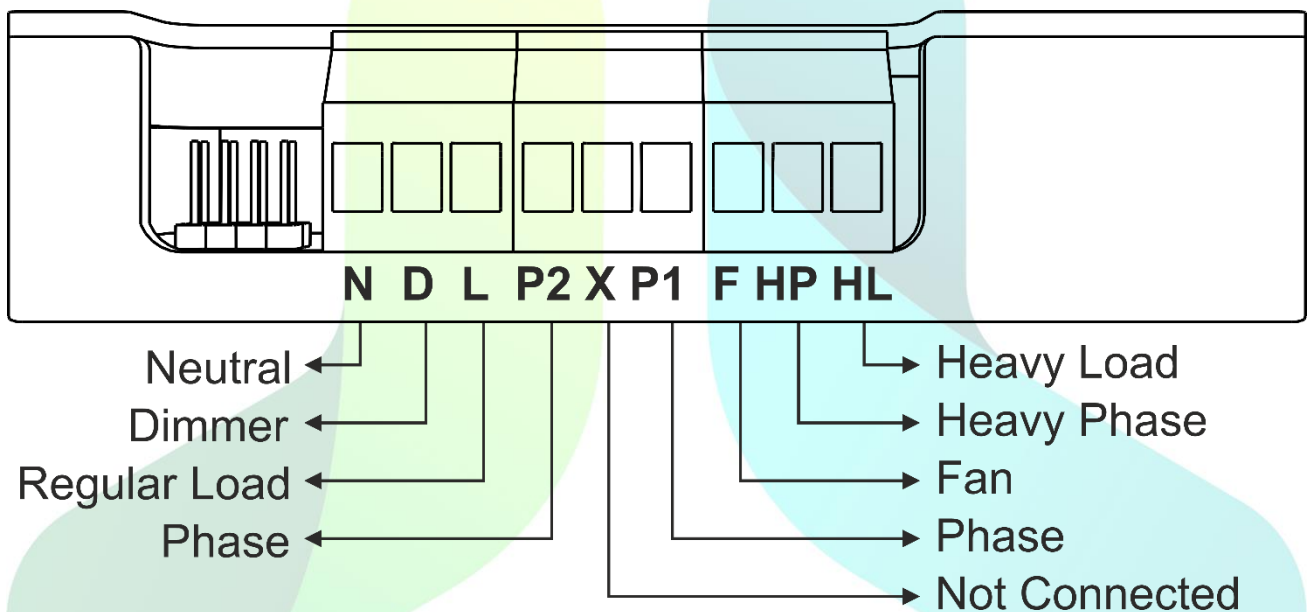
Note: 1R doesn't mean that only 1 fan can be speed regulated using the regulator. A total of 1 light and 1 fan can be regulated using the regulator

3. Basic Load explanation

This section covers explanation about different types of load in TS.4S1R. Touch Switches consists of a Touch Board and a power supply module. These two parts are connected by a connector.

3.1 Power Supply

The front view of the power supply module of TS.4S1R is shown below:



Here Ph indicates Phase (Live wire) input, N indicates Neutral input and HP indicates Heavy Phase input. The loads connected to the different output terminal are described in detail below:

➤ F- Fan load

Here, the load wire of the fan is connected. We can turn on/off the fan connected to this terminal. We can even change the speed of the fan through on-board regulator and remote when the fan load is connected to F. The regulation type being capacitive, there would be no humming sound even if we slow the fan speed. We do not suggest to connect any other load except fan to this terminal.

A fan with a maximum rating of 100 watts can be connected here.

A BLDC fan with a maximum rating of 75 watts can be connected here. A BLDC fan connected at F load cannot be speed regulated through Smart Node Touch Switches.

➤ **D- Dimmer Load**

Here, the preferable load connections are light or fan.

- If a dimmable light or a LED with dimmable driver is connected to this terminal, we can turn on/off the light and even dim the intensity of the light through touchpad and remote. The light dimming is done using phase-cut technology. The Light dimming is possible between 20-100% with a step of 4. A single dimmable LED or a group of dimmable LEDs with a maximum total rating of 150 watts can be connected.
- If a fan is connected to this terminal, we can turn on/off the fan and even change the speed of the fan. The regulation type being phase-cut, a humming noise may arise when we change the fan speed. A fan with a maximum rating of 150 watts can be connected here.
- If a light with non-dimmable drivers is connected, then we can only turn on/off that particular light. A single non-dimmable LED or non-dimmable LEDs in series with a maximum total rating of 150 watts can be connected here.
- We do not recommend to connect plug here.

➤ **L- Regular load**

Here, the possible connections of loads are light, fan, 6A plug and many others.

- If a 6A plug is connected to this terminal then the examples of appliances that can be connected via plug are TV, phone-charger, light lamp and many more. We can only turn on/off the load connected to this terminal. A single load with a maximum load capacity of 1500 watt can be connected here.
- If a light with dimmable or non-dimmable driver is connected to this terminal, we can only turn on/off that light. We cannot dim the

intensity of the light. A single light should not exceed 750 watts. We do not recommend to group more than 5 LED lights with this load.

- If a fan is connected to this terminal, we can only turn on/off the fan. We cannot change the fan speed. Multiple fans with a maximum rating of 1000 watts can be connected. We recommend to connect BLDC fan here.

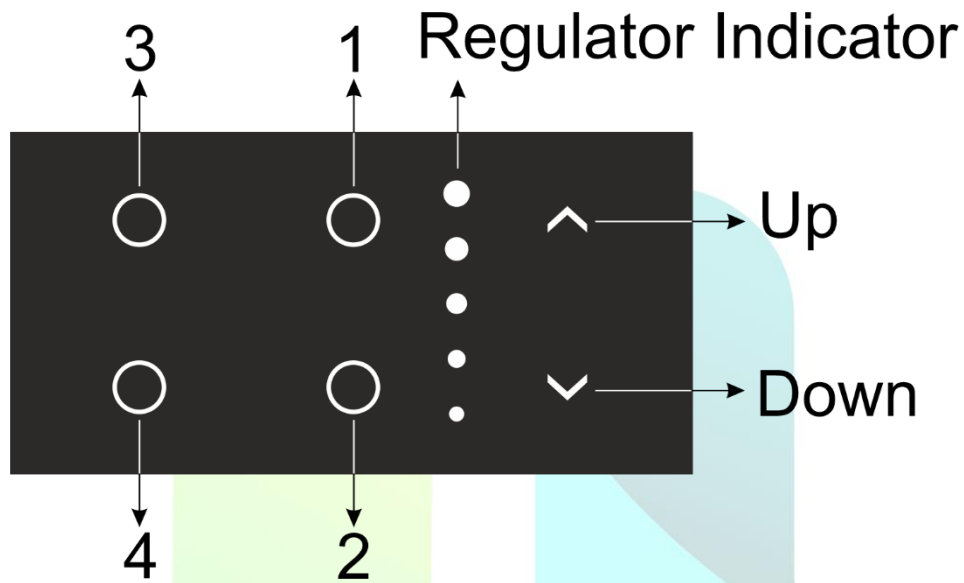
➤ **HL- Heavy Load**

Here, the possible connections of loads are a light, fan, 6A plug, 16 A plug and many others.

- If a 16A plug is connected to this terminal then the examples of appliances that can be connected via plug are AC, geyser, fridge, motor and many other. We can only turn on/off the load connected to this terminal. A single load with a maximum load capacity of 2500 watt can be connected here.
- If a 6A plug is connected to this terminal then the examples of appliances that can be connected via plug are TV, phone-charger, light lamp and many more. We can only turn on/off the load connected to this terminal. A single load with a maximum load capacity of 1500 watt can be connected here.
- If a light with dimmable or non-dimmable driver is connected to this terminal, we can only turn on/off that light. We cannot dim the intensity of the light. A single light should not exceed 2000 watt. We do not recommend to group more than 8 LED lights with this load.
- If a fan is connected to this terminal, we can only turn on/off the fan. We cannot change the fan speed. Multiple fans with a maximum rating of 2000 watts can be connected here.

3.2 Front-End Touch Board

The front-end Touch Board is shown below:



Here, the number indicates the load correspondence to the switch as shown below in the table:

Load (<i>Terminal on power supply</i>)	Touch Pad number	Default Remote Button
F	1	F
D	2	2
H	3	3
L	4	4

General Technical Specifications

Some general technical specifications of TS.4S1R module are given below

Input Voltage	110 to 240 VAC 50-60Hz	
Temperature	0 to 70°C Non-condense	
Minimum Life (per switch)	1,00,000 operations	
Humidity	20% - 80% RH non-condensing	
Material of the Touch Board	Acrylic	
Power Consumption	0.6W idle and <3W (On Full Load)	
Back End Size (L x W x H)	105mm x 52mm x 26mm	
Weight	200g	
Load-Wise Maximum Connection Capacity		
F	Resistive	100W
	Inductive	100W
	Capacitive	75W
D	Resistive	150W
	Inductive	150W
	Capacitive	150W
L	Resistive	1500W
	Inductive	1000W
	Capacitive	750W
HL	Resistive	2500W
	Inductive	2000W
	Capacitive	2000W
Examples of Resistive loads are a filament-based lamp, iron, hair-dryer etc.		
Examples of Inductive loads are blender, mixer, fan, old tube light, motor etc.		
Examples of capacitive loads are LED lights, TV, set-top box, charger, SMPS, computer etc		

4. Installation Guide

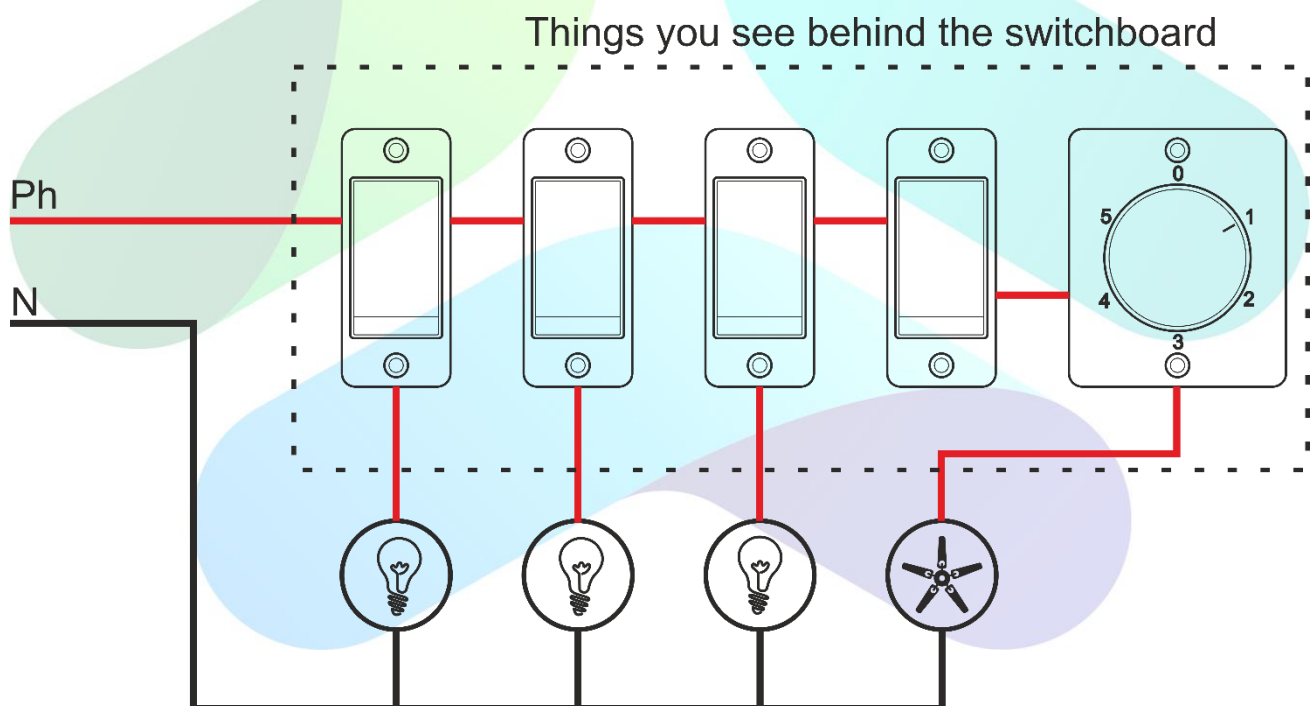
Smart Node Touch Switch TS.4S1R installation can be divided into two parts: first is the power supply connection with the actual load wires and second is the connection of power supply with the front-end Touch Board. We will go deep into each section below.

The TS.4S1R box contains:

1. One front-end Touch Board
2. One power supply
3. One touch Switch Connector

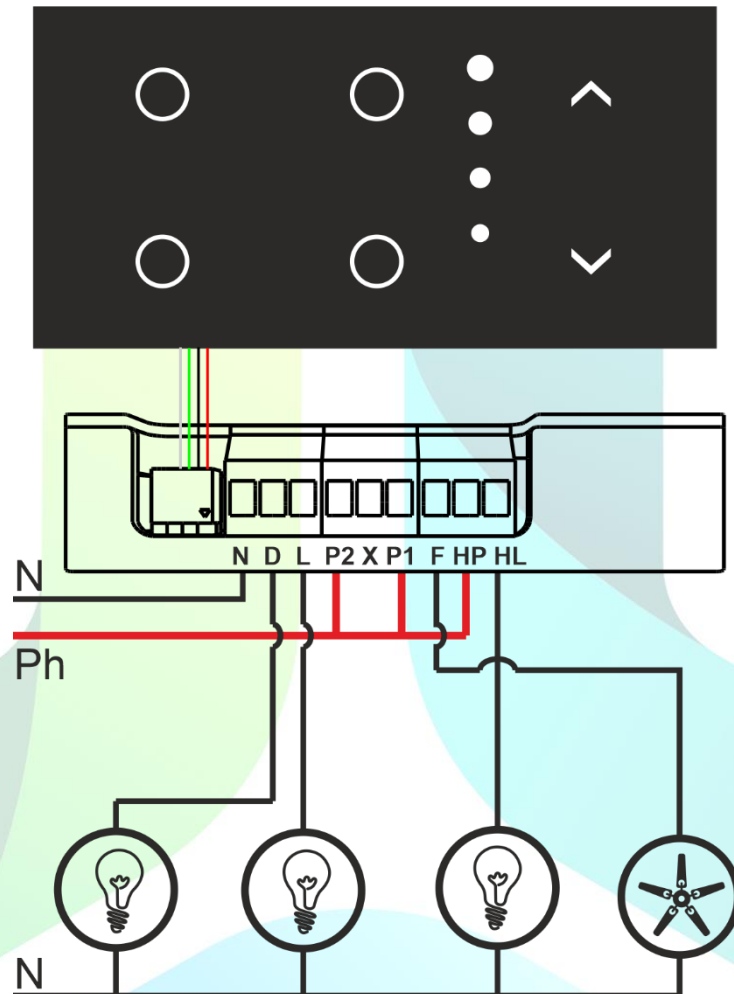
4.1 Power Supply Installation

Before going through the steps of installing the hardware, let us first have a look at the normal wiring behind a switch-board where traditional switches are connected to the respective load to turn on or off that particular appliance.



The next wiring diagram gives a basic explanation when a TS.4S1R is connected with the loads.

- 1) Please turn off the power by switching off the MCB for safety purpose. Then remove the front panel of the respective switchboard and open the screws of the switch-plate



- 2) Identify the loads you wish to insert to Touch Switch. Disconnect the load wires from the traditional switches and also, remove the phase (Live) wire from the switches. Now, label the load wires as per the load connected for further easy identification.
- 3) We need to connect the wire of each load (which were removed from the switches) to each terminal of the power supply module as per the load type. The detailed information about the load is explained above.
- 4) Insert the Heavy Phase to HP terminal, if any heavy load is connected to HL terminal or else insert regular phase wire to HP. Also, insert phase wire to three Ph terminals.
- 5) Insert the Neutral wire to N terminal.

4.2 Touch Board with the power supply

After successful wiring of the loads with the power supply, we now need to connect this power supply with the front-end Touch Board.

- 1) Now, we need to fit the Smart Node front-end Touch Board with the Norisys plate. Remove the last layer from the Touch Board and fit it with the back-plate of the Nosisys.
- 2) Insert the switch connector provided to the male connector block on the power supply located at the left side of the green terminals with the small arrow indicated on the switch connector facing in the front as shown in the figure below.
- 3) Now, we need to connect the other end of the connector with the Smart Node front-end Touch Board.
- 4) Now, insert the back-plate to the wall with the screws provided.
- 5) Now, insert the Norisys front plate.
- 6) Turn on the power by switching on the MCB.

For a detailed explanation, you can refer the video on our website.

5. Operations

The loads connected to TS.4S1R can be operated by two different ways at a time.

1) Physically touching the Touch Pads

One can physically touch the touchpads on the Touch Switch to turn on/off any load. The Blue indicates that the load is on. The regulator consists of two touchpads: 'Up' and 'Down' for operation and five LED indication to show the state of the fan regulator. There is also a presence of dim white light to recognize the Touch Switches during the night.

When only 'Up' or 'Down' touch is pressed then the load connected with Touch pad 1 will regulate that is Fan. If you wish to regulate (fan speed or light intensity) the load connected with Touch Pad 2(D), then with one finger you must press the respective touch pad and simultaneously with another finger, you must press 'Up' or 'Down'.

2) Remote

Smart Node Touch Switches can be operated using our IR remote. The remote provided is universal. The remote layout is as shown below:



We can turn on/off any load using this remote. We can also set the fan speed or change the brightness of any dimmable light using this remote. Apart from these basic functions, the different types of features which are possible using remote are as follow:

Scene

We can set a total of 4 different scenes for a single Touch Switch on the remote. On pressing of the scene button, multiple actions on the Touch Switch can take place as per our creation. The scenes can be created by following a simple procedure using the remote. You can refer the video on our website for learning the procedure.

Touch Lock/Unlock

We can lock the Touch Switch using the remote. On locking it, all the operations on pressing the touch will become non-operational. We can again unlock it using the remote.

On/Off White Back Light

We can turn on/off the backend white light which is used for identifying the Touch Switch during the night using the remote.

Single Universal Remote

One Smart Node remote can work for multiple Touch Switches.

Master Control

Using a single button, you can turn on and turn off all the loads on a Touch Switch

Remote button learning

By default, all the buttons on the Touch Switch are assigned a number on the remote starting from 1. But, in certain condition, need arises when we need to change the assigned button on the remote. This can be done by following a simple procedure which can be learned by watching the related video on our website. A simple real-time example where the need arises to change the assigned button for one-touch is as shown below. Here, if 2 number is pressed from the remote, then Touchpad 2 on both the Touch

Board will respond. Similarly, for Touchpad 3 and 4. So, it is better to assign a different button on the remote for TI.4S touchpads.



6. Installation – Special Cases

There are some special cases where the connection becomes a little bit complex. Some examples are:

6.1 Invertor Connection

If you wish to connect the loads connected with TS.4S1R to work with inverter, then it is mandatory to insert the Inverter phase wire to Ph terminal (P1) of the power supply. By default, the loads connected to F and D will be connected with the Inverter. If we wish to connect other loads of TS.4S1R with inverter, we need to connect the inverter phase with the Ph terminal as follows.

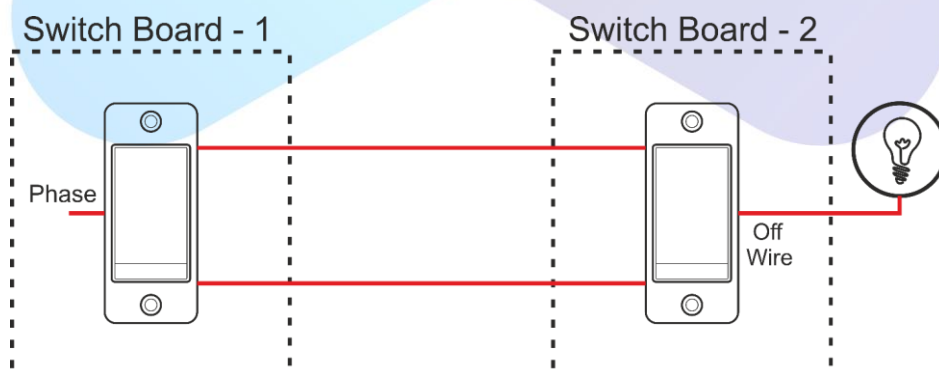
Loads	Ph Terminal
F, D	P1
L	P2
HL	HP

6.2 Two- Way Connection

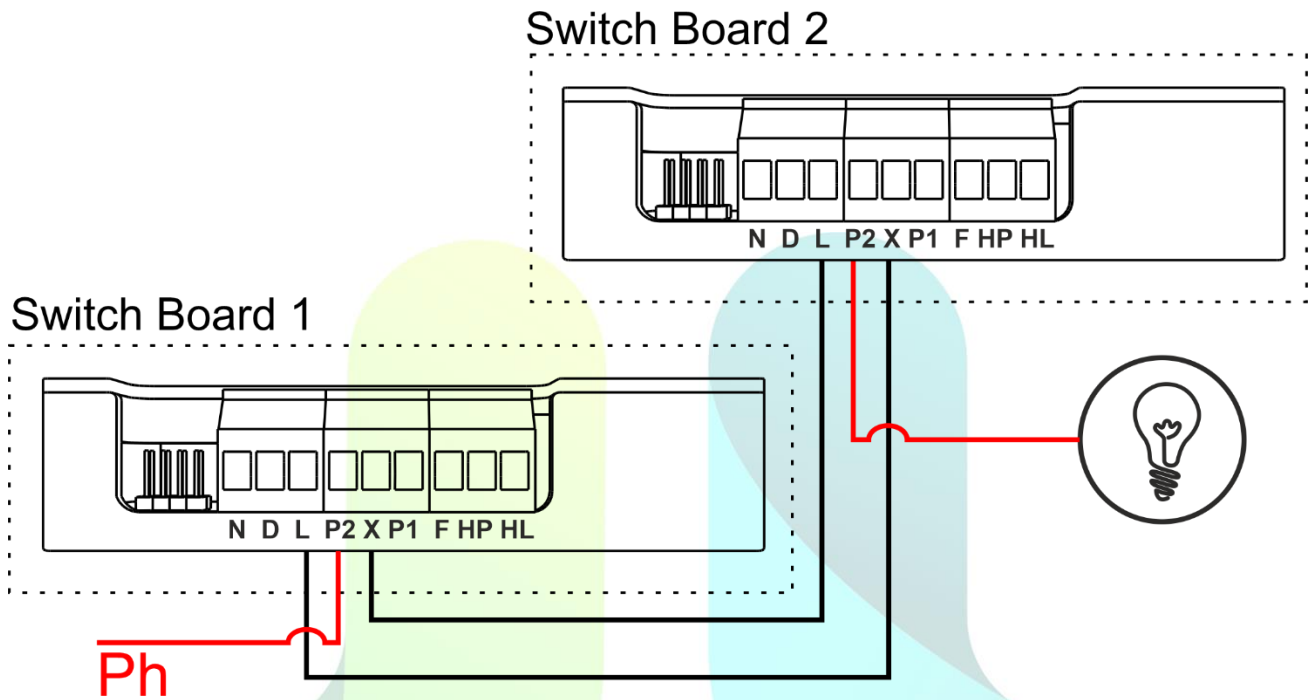
In TS.4S1R, a total of only one load is possible to make it work as two-way. The load connected with L can only be made two-way.

Two-way connection depends whether we have connected traditional switches or Smart Node Touch Switches on the other side.

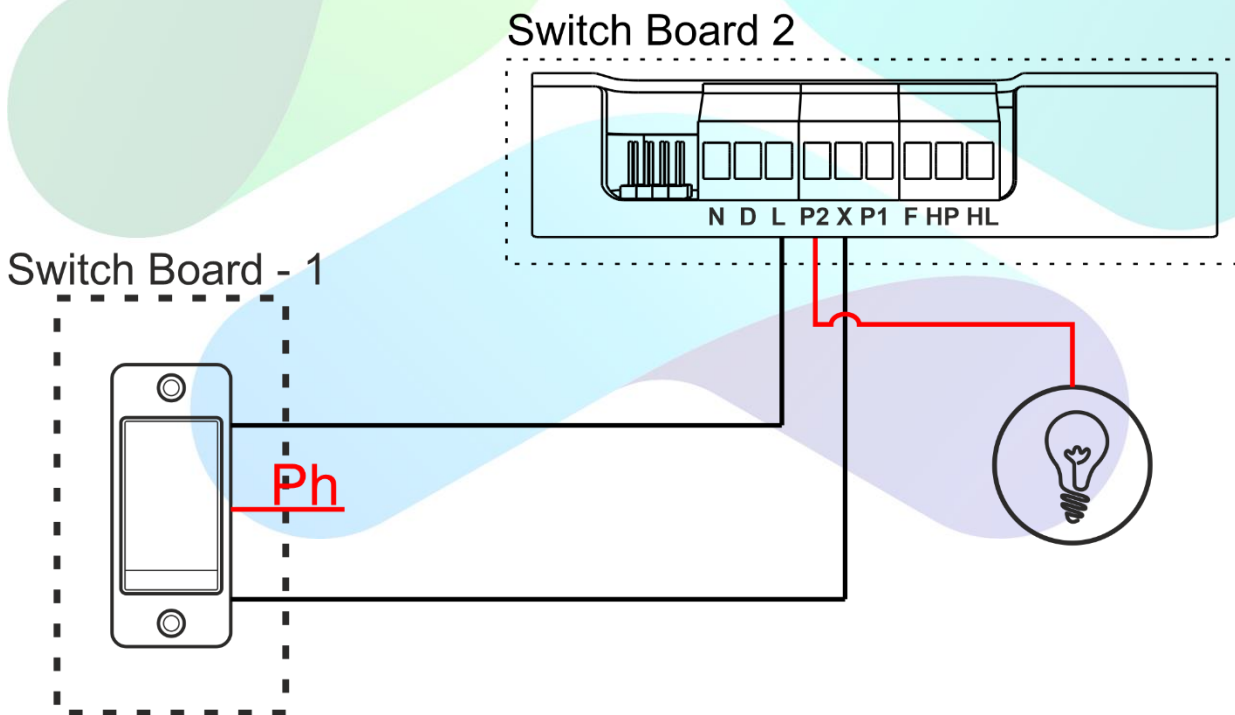
The following wiring diagram shows a basic two-way connection.



If Smart Node Touch Switches are connected on both sides, then the two-way connection is possible and the wiring diagram will be as follows



If traditional switches are connected on the other side, then the two-way connection is possible and the wiring diagram will be as follows



6. Declaration

All Smart Node products are proprietary of Smart Node Automation Private Limited. All rights reserved. Without prior approval of Smart Node Automation, reproduction, transfer, distribution or storage of contents in this document in any form is prohibited. Smart Node Automation operates a policy of ongoing development. Thus, Smart Node Automation reserves the right to make changes or improvements to the products described in this document without prior notice.

If you need further assistance, please write to us at support@smartnode.in or call us at +91-9327958744. You can also refer FAQs on our website for general doubts.

7. GUARANTEE and WARRANTY period

Smart Node offers seven years of free repairable warranty from the date of billing of the end client.

Smart Node will not be liable in any way towards damage caused to products by following:

- a) The guarantee or warranty period is expired.
- b) The serial number label is missing or unrecognizable.
- c) The product has been modified or repaired by any unauthorised service centre or personnel during its guarantee or warranty period.
- d) The defect was subject to abuse, improper use not conforming to product manual instructions, or environmental conditions more severe than those specified in the manual and specifications.
- e) Damage caused by user (including but not limited to breakage of the module, wrong installation, no electrical earthing)
- f) Spillages or moisture (including but not limited to exposure or contact with any liquid)
- g) Neglect
- h) Accidents including but not limited to improper voltage or power supply.
- i) Unauthorised modifications including but not limited to the opening of the module, changing wiring;
- j) Use of Smart Node products with incompatible or faulty equipment, using on higher loads;
- k) The defect was subject to Force Majeure, such as acts of God, flood, lightning, earthquake, war, vandalism, theft, brownouts or sags (damage due to low voltage disturbances).

If the customer's product is not covered under guarantee or warranty, Smart Node may offer repair services at customer's own cost.