



Installation Instructions

(For Door Lock Controller)

What is in the box?

Smart Device



Dupont Cable



NOTES:

To install a door lock controller, it is necessary to have electromagnetic locks and a digital lock installed

Technical specifications

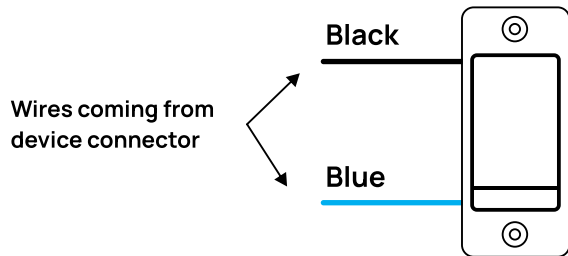
Technical Attributes	
Module size	2M
Mode of operation	Physical, Voice, Mobile app
Material	ABS
Product dimensions (in mm)	70mm x 52mm x 25mm
Product weight	85gms
Operating voltages	100-240 VAC.
Operating temperature	0°C - 65°C non condense
Shock proof	No
Water resistance	No
Warranty	5 Years

Door Lock Controller



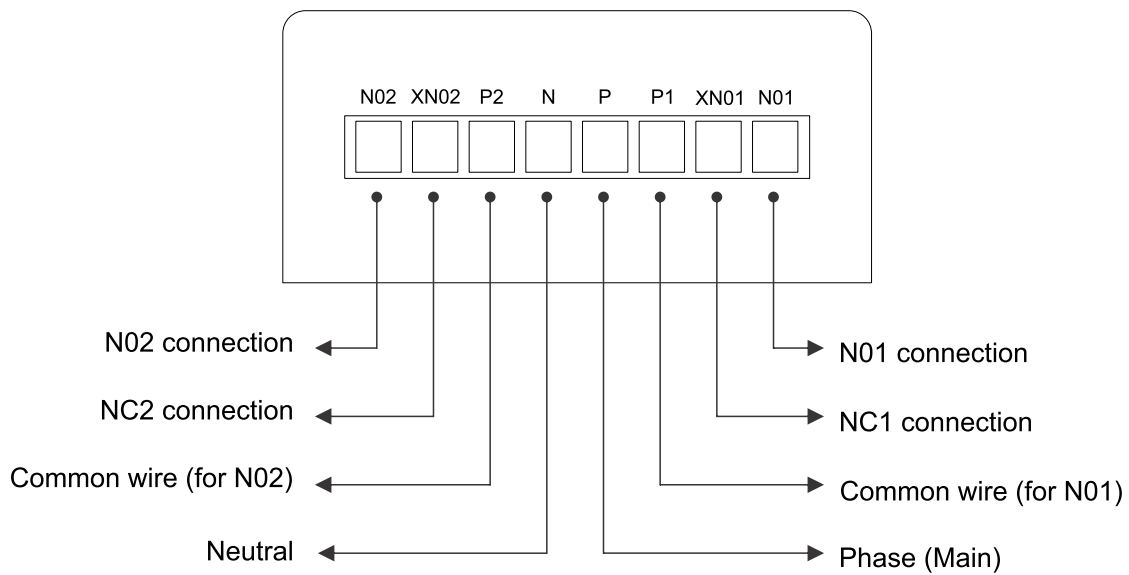
Wire color	Node
Black	Common
Blue	NO1
White	NO2
Red	VCC

To start the configuration mode in SD models

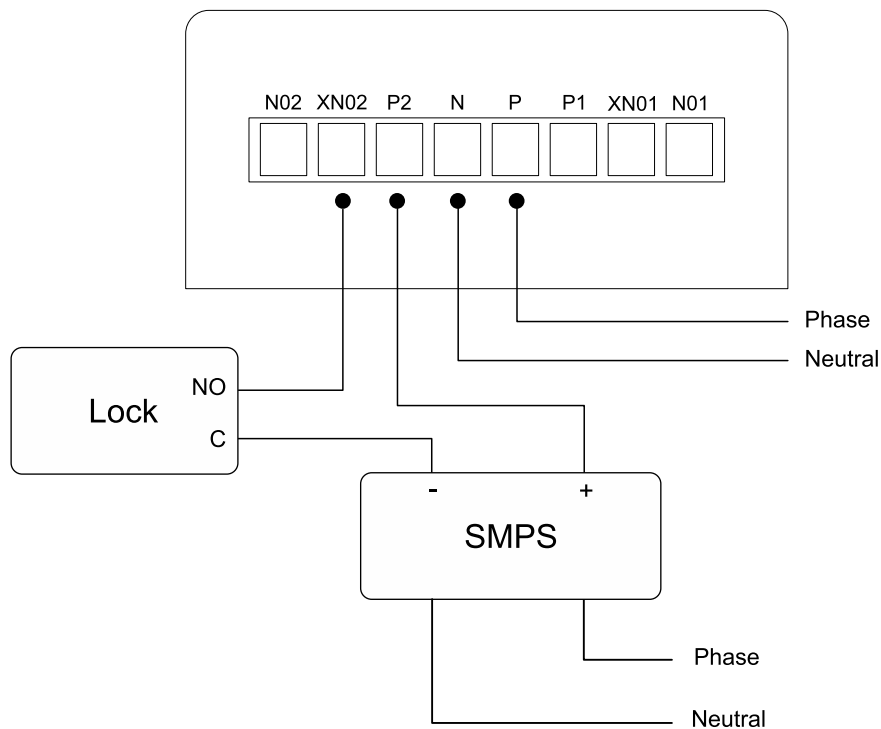


- The switch connected with black and blue wire is used to start the configuration mode.
- Press the switch 15 times within 6 sec to start configuration mode.

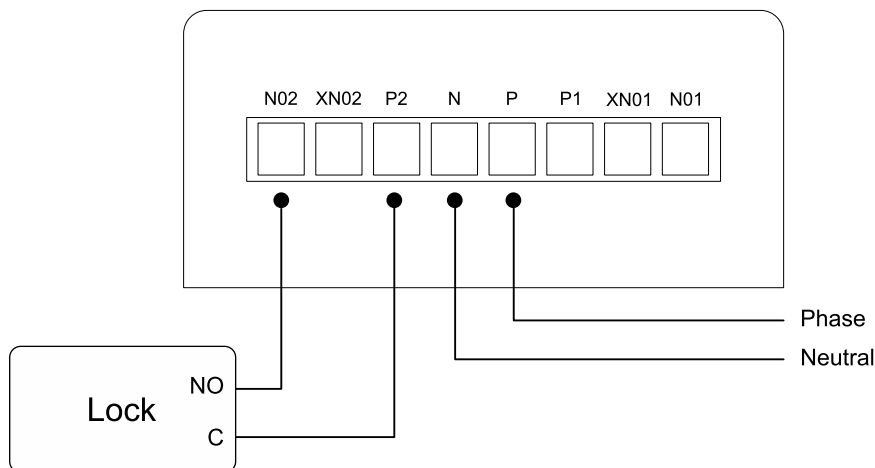
Door lock module wiring diagram



Connection diagram with EM lock



Connection diagram with digital lock



To start the configuration mode in Door lock controller

<https://youtu.be/B1FenRfHGry>

To add a Door lock controller to the Smart Node mobile application

<https://www.youtube.com/watch?v=b9I5y3LiUZw&feature=youtu.be>