

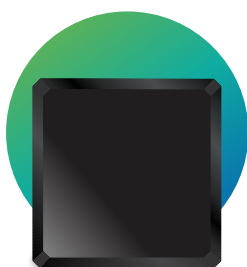


Installation Instructions

(For IRB & IRBE)

What is in the IRB box?

IR Blaster (IRB)



USB Cable



IR Blaster (IRB)

Technical specifications

Technical Attributes	
Mode of operation	Voice, Mobile app
Material	Polycarbonate
Color	Black
Product dimensions	56mm x 56mm x 20mm
Product weight	31gms
Input power	DC 5V, 2A
IR frequency	20-50Khz
Power consumption	0.6W idl, 5W max
Range	8 meter (line of sight)
Operating temperature	0°C - 65°C non condense
Shock proof	Yes
Water resistance	No
Warranty	5 Years
Connection	Wi-Fi
Wi-Fi frequency	Wi-Fi 2.4G (b/g/n)
Operation	Android and iOS

Setting up IR blaster



- ▶ Plug the micro USB cable into the IRB's micro USB port, connect the other end to the power adaptor, and then plug the power adaptor into the electrical outlet.
- ▶ Press the reset button for few seconds to start the configuration mode.

For setup

- ▶ Wi-Fi network with internet access (2.4 GHz only), a power supply (5VDC 2A). Make sure the IRB is in the line of sight of the appliances.

What is in the IRBE box?

IR Blaster Emitter (IRBE)

IR Blaster Emitter



3 Emitter



Jack



USB Cable



Technical specifications

Technical Attributes	
Mode of operation	Voice, Mobile app
Material	Polycarbonate
Color	Black
Product dimensions	98mm x 98mm x 25mm
Product weight	79 gms
Input power	DC 5V, 2A
IR frequency	20-50Khz
Power consumption	0.6W idl, 5W max
Range	8 meter (line of sight) for 3 channels support
Operating temperature	0°C - 65°C non condense
Shock proof	Yes
Water resistance	No
Warranty	5 Years
Connection	Wi-Fi
Wi-Fi frequency	Wi-Fi 2.4G (b/g/n)
Operation	Android and iOS

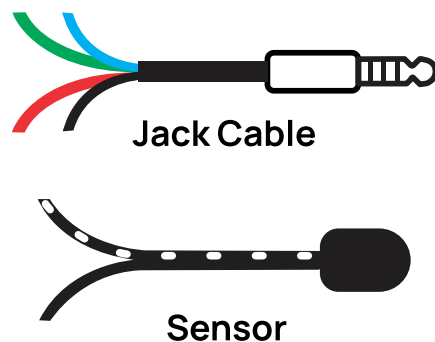
Setting up IR Blaster Emitter



Connection between sensor and cable

Channel	Sensor side	IR blaster side
1		
2		
3		

Steps to connect IR sensor wires



- ▶ Plug the micro USB cable into the IRBE's micro USB port, connect the other end to the power adaptor, and then plug the power adaptor into the electrical outlet.
- ▶ Take a four-wire cable attached to IRBE and connect it to the emitter, ensuring that the emitter is on the appliance. To extend the channel, use a CAT6 wire, which can extend up to 15 meters.
- ▶ Press the reset button for few seconds to start the configuration mode.

For setup

- ▶ Wi-Fi network with internet access (2.4 GHz only), a power supply (5VDC 2A). Make sure the Emitter is on the appliances.

To add a IR Blaster to the Smart Node mobile application.

<https://youtu.be/f7qTYOIFF0c>