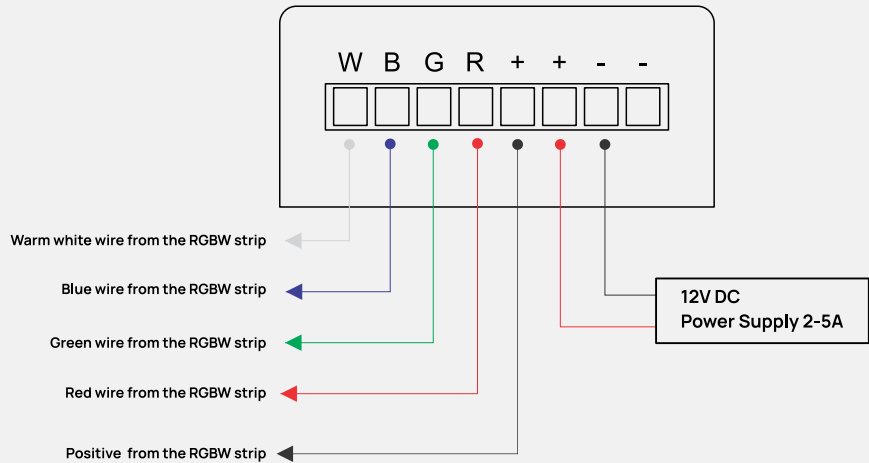
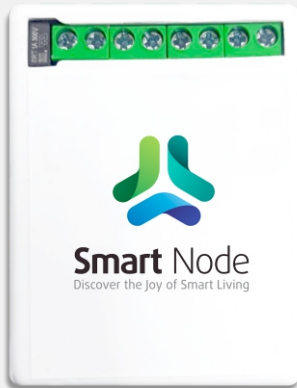



## RGBW Controller



### Technical Attributes

Connect way	RGB/RGBW LED strip
Mode of operation	Voice, Mobile app
Outout channel	RGB or RGBW
Input voltage	DC 12V
Software	Android and iOS
Material	ABS
Color	White
Product dimensions	70mm x 52mm x 25mm
Product weight	66gms
Operating voltage	12VDC 2-5A
Max.support	5m
Mounting	Mounting in wall
Operating temperature	0°C - 65°C non condense
Shock proof	No
Water resistance	No
Warranty	5 Years
Connect method	Common anode

### Features

-  Internet independent scheduling
-  16 Million colors selection
-  Predefine patterns
-  Brightness intensity control
-  Pattern color selection
-  Pattern speed management
-  Tunable option