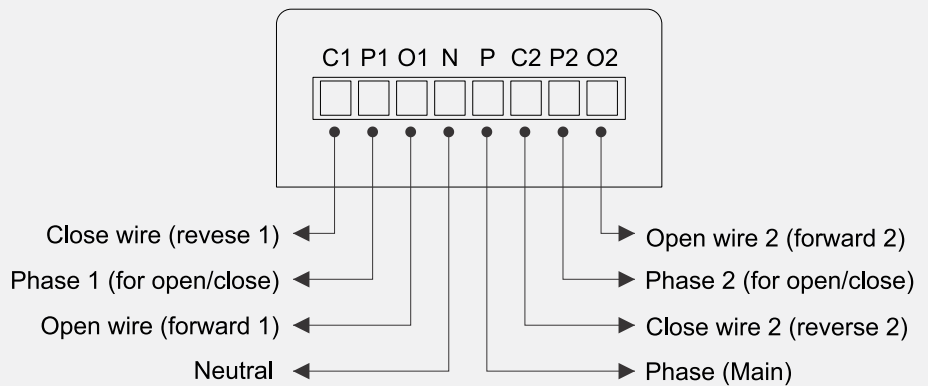


## Curtain Controller






Model No: SD.2C



### Technical Attributes

Compatibility	Dry contact or 230V motorized curtain
Combination	Dual curtain
Module size	2
Material	ABS
Color	White
Product dimensions (in mm)	70mm x 52mm x 25mm
Product weight	100gms
Operating voltages	100-240 VAC.
Operating temperature	0°C - 65°C non condense
Shock proof	No
Water resistance	No
Warranty	5 Years
Max.load (max.1 load)	1000 watt

### Features

-  Stop control characteristic
-  Internet independent scheduling
-  Easy to operate
-  Dry contact or 230V motorized curtain
-  Support 2 channels in 2 module