

DALI

Gateway (Flush mount)
Wi-Fi



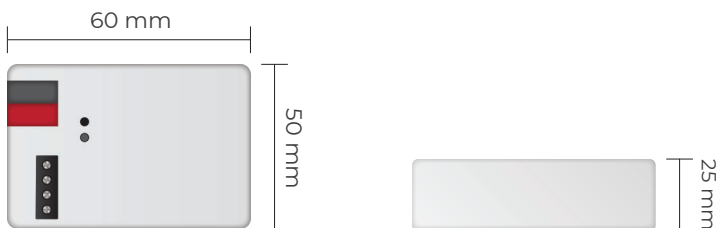


Wi-Fi

DALI GATEWAY FLUSH MOUNT

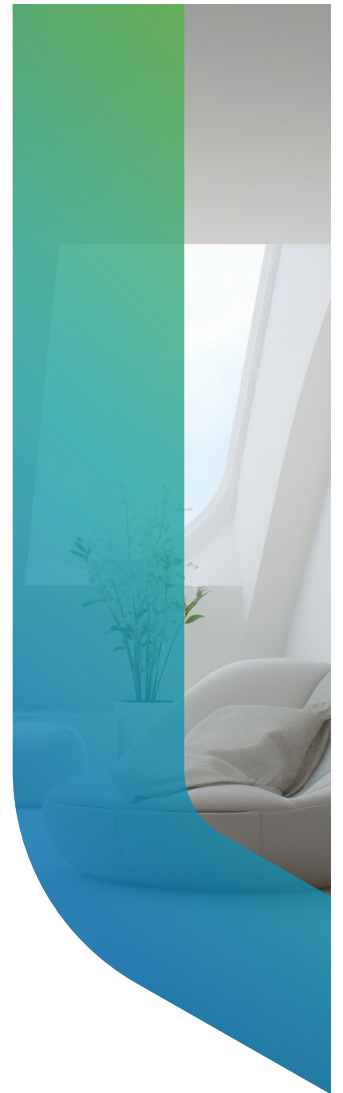
PRODUCT DESCRIPTION

The Smart Node DALI Flush Mount Device brings advanced DALI lighting technology to your smart home. It can manage up to 64 individual ballasts, 16 groups, and 16 customizable scenes. Easily configure and operate your lighting through the Smart Node mobile app and web application, giving you complete control over your lighting setup. This flush mount variant is designed to be fitted behind a switchboard and comes without a DALI power supply.



FEATURES

- Support DALI commissioning and setup remotely
- Support lighting configuration features like smooth dimming, threshold etc. remotely
- Support group assignment and scene setup remotely
- Support brightness, temperature and RGBW control
- Configuration of Individual ballasts, groups and scenes remotely
- Support of touch from two to ten switches directly to DALI Flush device
- Get live state and dimming of load on the touch
- Support for tap and long press
 - └ Short press - On, Off and toggle
 - └ Long press - Dimming up, down individually or up, down from single switch function

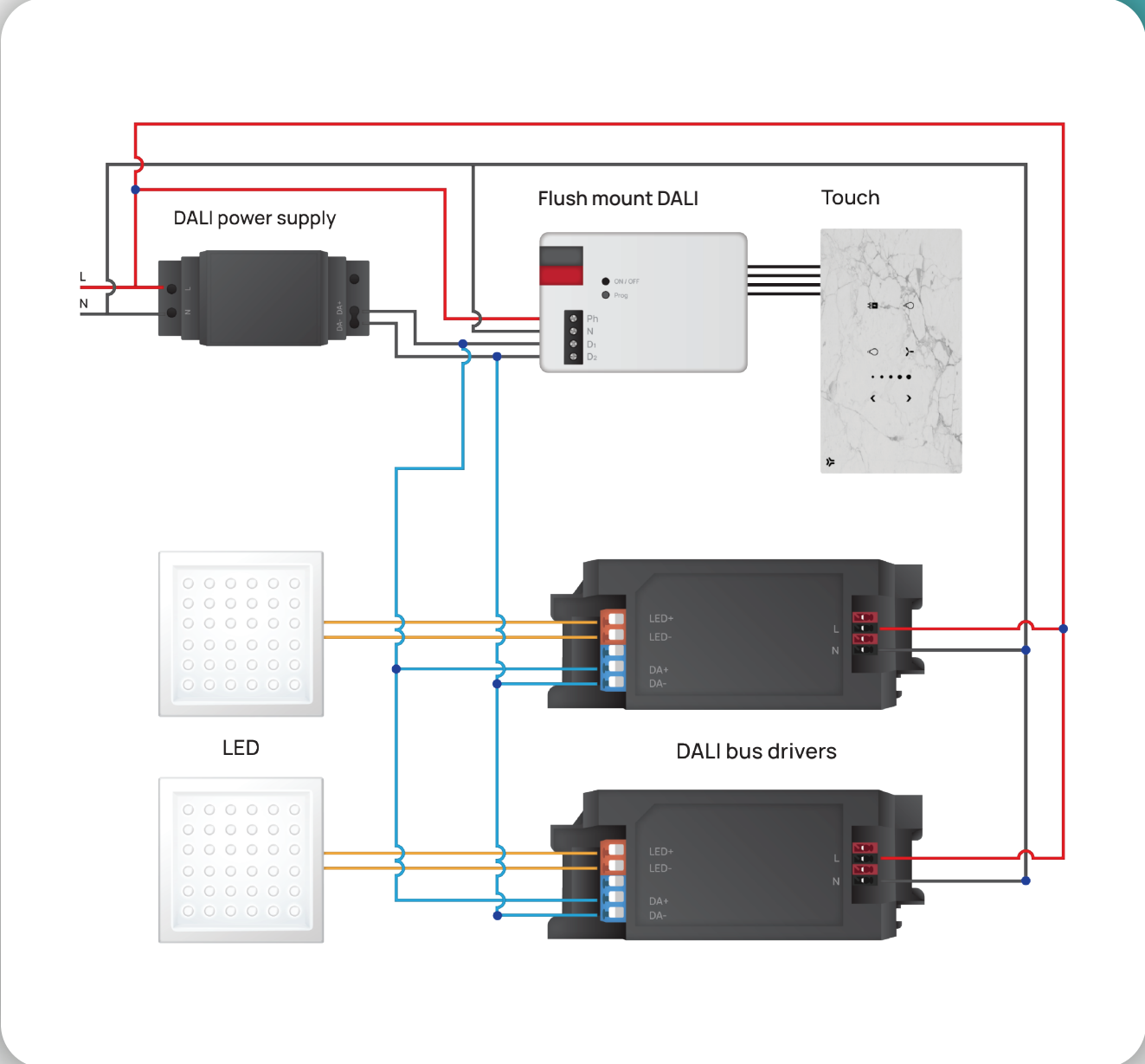


TECHNICAL INFORMATION

Mains Supply	Voltage Power - 85-300 VAC @50-60Hz Max.
Power consumption	max. 3W
Current consumption	100mA @ 85V AC
DALI Supply	16V DC typical Max. 90mA
Type of connection	DALI bus terminal
Ambient Temperature Range	- 5°C +45°C
Storage Temperature	- 25°C...+ 55°C
Transport Temperature	-25°C.... +70°C
Humidity	95% no moisture condensation
Color	White
Mounting type	Flush mount
Wireless type	Wi-Fi 2.4 GHz 802.11 b/g/n
App store	Android / iOS
Warranty	5 years



CONNECTIONS



Smart Node Automation Pvt. Ltd.

A-09-02-B, Kamdhenu Industrial Estate
Opp, Gorwa Water Tank, Gorwa, Vadodara-390016
Tel.: +91 8200824126 | Email : info@smartnode.in
www.smartnode.in