

# DALI

Gateway (Flush mount)  
**KNX**



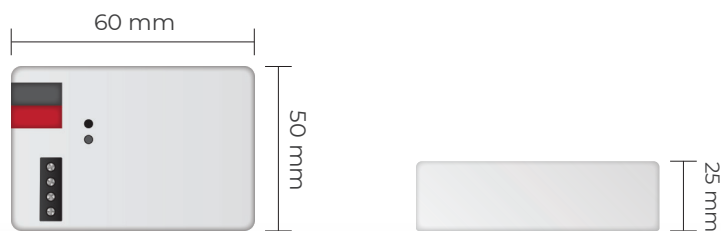


**KNX**

## **DALI GATEWAY FLUSH MOUNT**

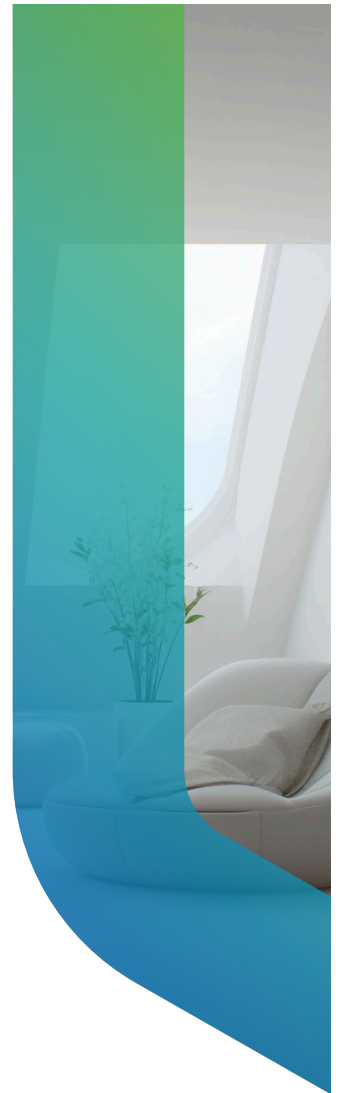
## **PRODUCT DESCRIPTION**

The Smart Node DALI Flush Mount Device integrates advanced DALI lighting technology with KNX protocol, offering seamless compatibility with your smart home. Manage up to 64 individual ballasts, 16 groups, and 16 customizable scenes with ease. Configure and control your lighting effortlessly through the Smart Node mobile app, giving you complete control over your lighting setup. This flush mount variant is designed to be fitted behind a switchboard and comes without a DALI power supply.



# FEATURES

- Support DALI commissioning and setup remotely
- KNX - DALI Gateway: Connects KNX bus and DALI bus
- Support lighting configuration features like smooth dimming, threshold etc. remotely
- Support group assignment and scene setup remotely
- Support brightness, temperature and RGBW control
- Configuration of Individual ballasts, groups and scenes remotely
- Support of touch from two to ten switches directly to DALI Flush device
- Get live state and dimming of load on the touch
- Support for tap and long press
  - └ Short press - On, Off and toggle
  - └ Long press - Dimming up, down individually or up, down from single switch function

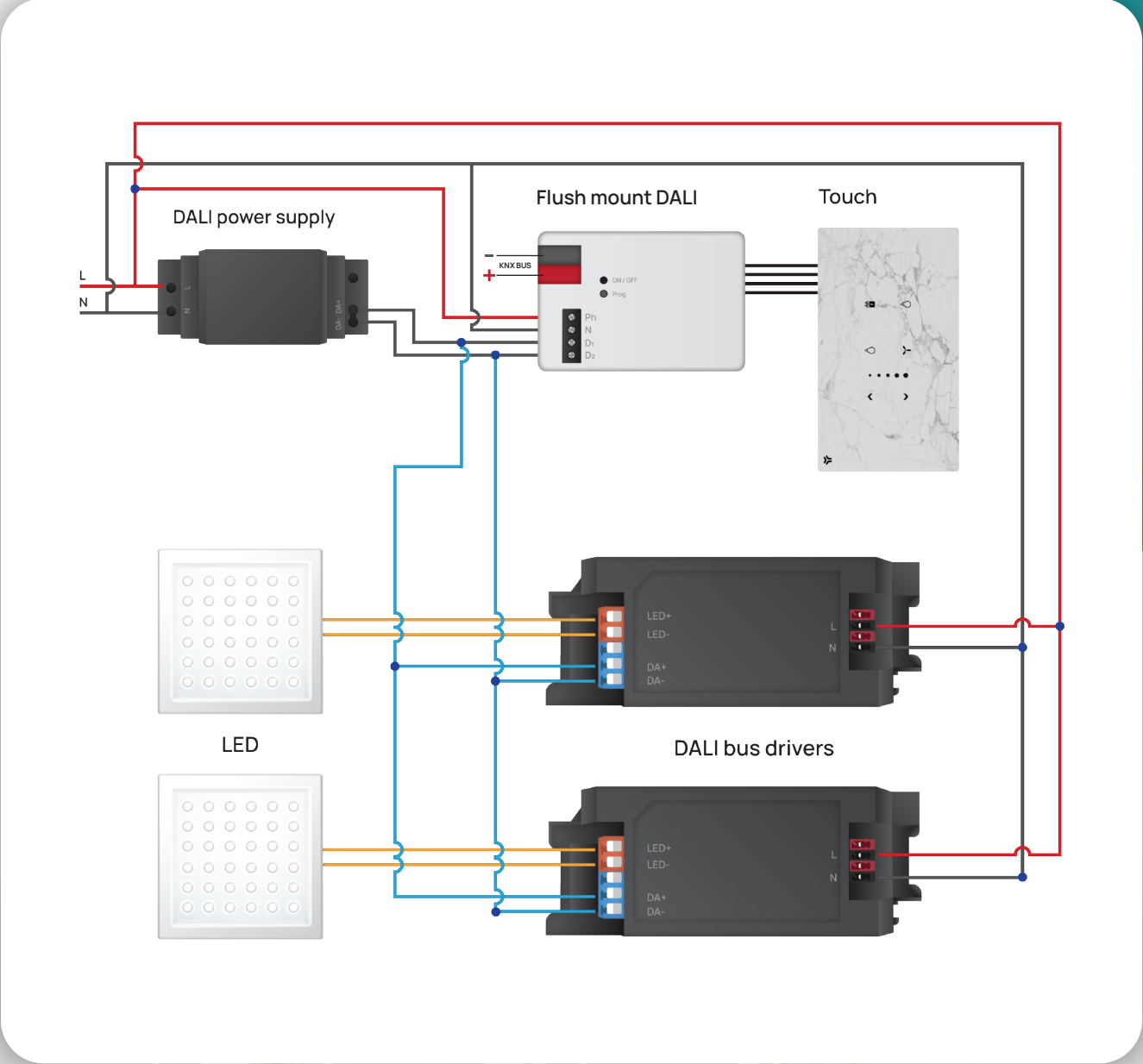


## TECHNICAL INFORMATION

KNX Bus Voltage	24V- 30V DC KNX Bus
Mains Supply	Voltage Power - 85-300 VAC @50-60Hz Max.
Power consumption	Max. 3W
Current consumption	100mA @ 85V AC
DALI Supply	16V DC typical Max. 90mA
Type of connection	KNX bus terminal
Ambient Temperature Range	- 5°C +45°C
Storage Temperature	- 25°C...+ 55°C
Transport Temperature	-25°C.... +70°C
Humidity	95% no moisture condensation
Color	White
Mounting type	Flush mount
Wireless type	Wi-Fi 2.4 GHz 802.11 b/g/n
App store	Android / iOS
Warranty	5 years



# CONNECTIONS



## Smart Node Automation Pvt. Ltd.

A-09-02-B, Kamdhenu Industrial Estate  
Opp, Gorwa Water Tank, Gorwa, Vadodara-390016

Tel.: +91 8200824126 | Email : info@smartnode.in  
www.smartnode.in