



Installation Instructions

(For Curtain Controller)

What is in the box?

Smart Device



Dupont Cable



SD.1C

Technical specifications

Technical Attributes	
Compatibility	Dry contact or 230V motorized curtain
Combination	Single curtain
Module size	2
Material	ABS
Product dimensions (in mm)	70mm x 52mm x 25mm
Product weight	85gms
Operating voltages	100-240 VAC.
Operating temperature	0°C - 65°C non condense
Shock proof	No
Water resistance	No
Warranty	5 Years
Max.load(max.1 load)	1000 watt

SD.2C

Technical specifications

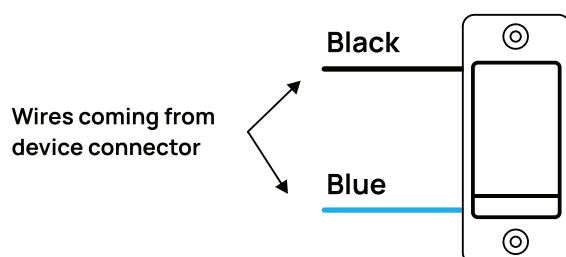
Technical Attributes	
Compatibility	Dry contact or 230V motorized curtain
Combination	Dual curtain
Module size	2
Material	ABS
Color	White
Product dimensions (in mm)	70mm x 52mm x 25mm
Product weight	100gms
Operating voltages	100-240 VAC.
Operating temperature	0°C - 65°C non condense
Shock proof	No
Water resistance	No
Warranty	5 Years
Max.load(max.1 load)	1000 watt

To start configuration mode in SD models

Wire color	Node(SD.1C)	Node(SD.2C)
Black	Common	Common
Blue	Close	Close(1C)
White	Open	Open(1C)
Red	VCC	VCC
Green	-	Close(2C)
Brown	-	Open(2C)

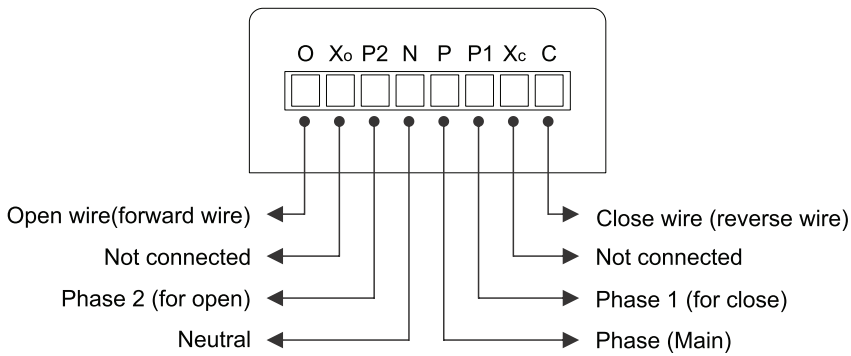


To start the configuration mode in SD models

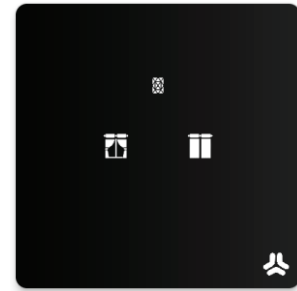


- The switch connected with black and blue wire is used to start the configuration mode.
- Press the switch 15 times within 6 sec to start configuration mode.

Wiring diagram of SD.1C

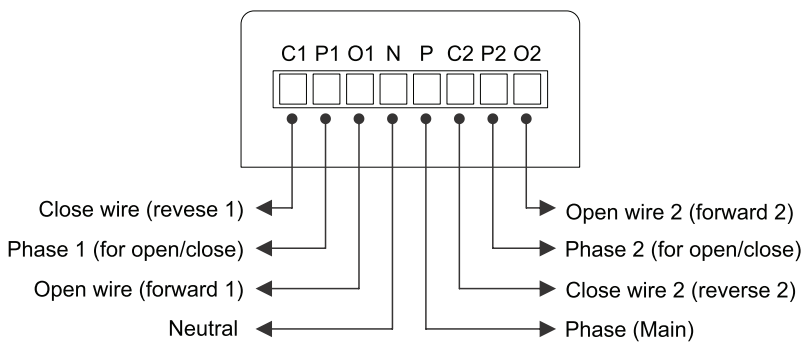


TI.1C



Single Curtain Touch

Wiring diagram of SD.2C



TI.2C



Dual Curtain Touch

To start the configuration mode in Curtain controller

<https://youtu.be/B1FenRfHGRY>

To add a Curtain controller to the Smart Node mobile application

<https://youtu.be/-EKC2S1TDh4>