



# Installation Instructions

(For RGBW Controller)

## What is in the RGBW controller box?

RGBW Controller



Dupont Cable



## RGBW

## Technical specifications

Technical Attributes	
Connect way	RGB/RGBW LED strip
Mode of operation	Voice, Mobile app
Output channel	RGB or RGBW
Input voltage	12 VDC / 24 VDC
Software	Android and iOS
Material	ABS
Color	White
Product dimensions	70mm x 52mm x 25mm
Product weight	66gms
Operating voltage	12 VDC / 24 VDC 2-5A
Max.support	5m
Mounting	Mounting in wall
Operating temperature	0°C - 65°C non condense
Shock proof	No
Water resistance	No
Warranty	5 Years
Connect method	Common anode



# Setting up RGBW Controller

## Prepare the following items

- ▶ RGBW strip (12 VDC / 24 VDC)
- ▶ Dupont cable
- ▶ Power adaptor (12 VDC / 24 VDC 2-5A)

## Terminal description

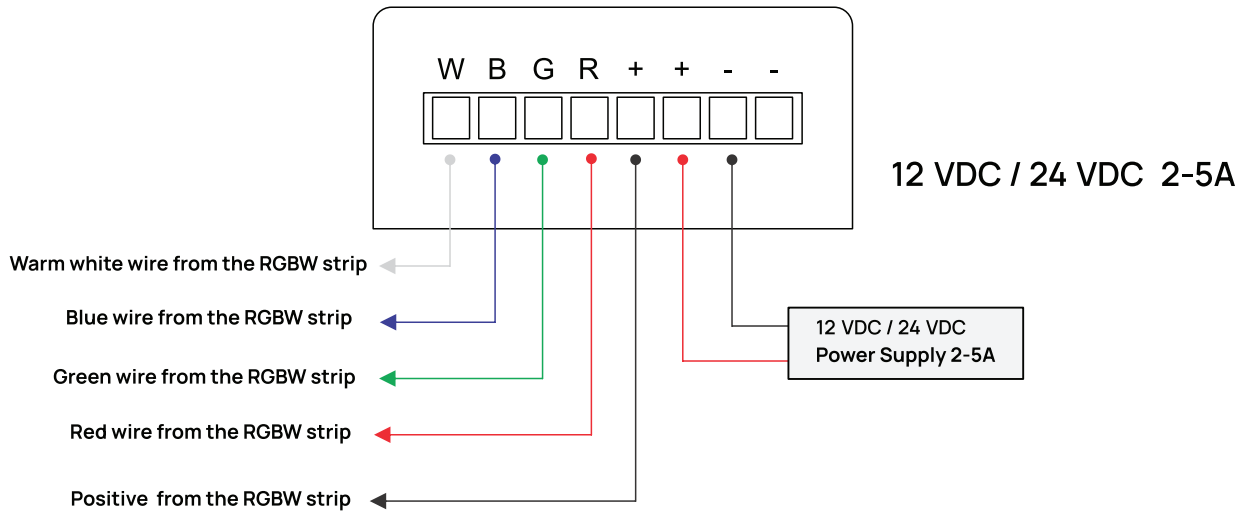
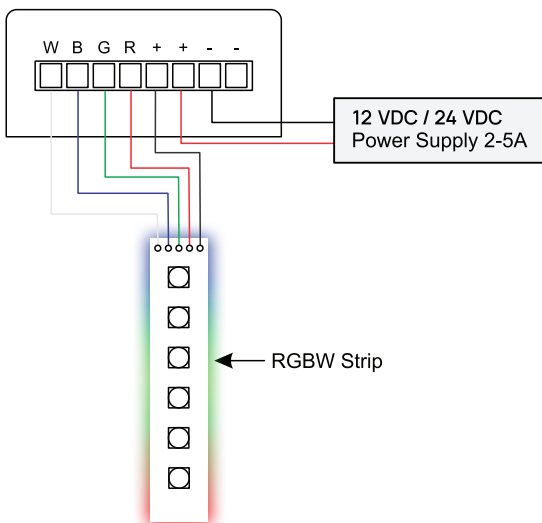


Fig. 1

## Follow these steps to set up your R.G.B.W. Color LED strip using



- ▶ Connect the RGBW strip to the controller's output channels (R, G, B, W).
- ▶ Next, connect the power adapter.
- ▶ Remember to use a dedicated stabilized power adapter to power the device
- ▶ Connect adapter to power supply.

Fig. 2

### NOTE:

The standard RGBW controller can handle a 5-meter LED strip. If you notice fading issues in the LED strip, place the RGBW booster where the problem occurs.

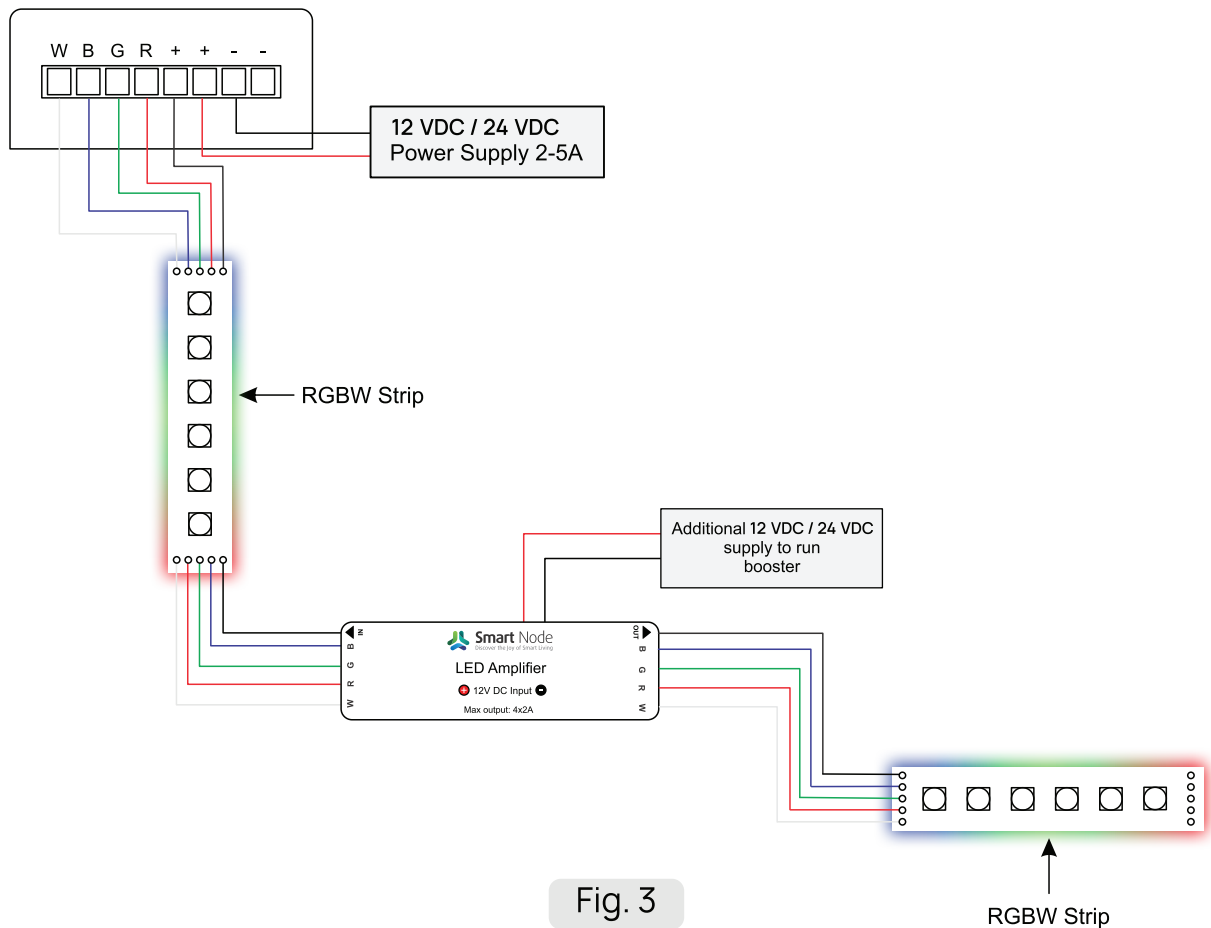
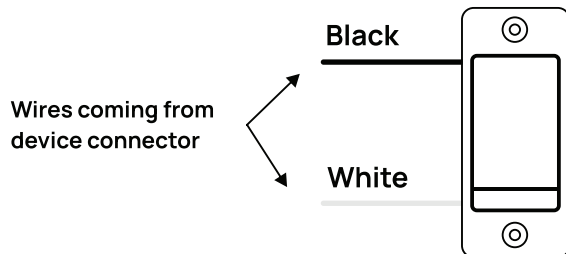


Fig. 3

## To start the configuration mode in SD models



- The switch connected with black and blue wire is used to start the configuration mode.
- Press the switch 15 times within 6 sec to start configuration mode.

To start the configuration mode in RGBW controller

<https://youtu.be/B1FenRfHGRY>

To add a RGBW controller to the Smart Node mobile application

<https://youtu.be/7aCbTkSdJAU>