



REMOTE DEVICE

RD.6FDNX



Quick Links

[Product Overview](#)

[Product Features](#)

[Technical Specification](#)

[Installation](#)

Product Description

Product Overview :-

Model Number: RD.6FDNX

Description: A smart automation solution for controlling dimmable lights, fans, normal loads like TV, set-up box, etc.

Product Features :-

- Humming-free fan with 5 steps control.
- Supports 2-way fan control.
- Smooth 0% - 100% brightness control.
- Anti-shock switching ensure secure and reliable operation.
- Compatible with capacitive switches.

Product Benefits :-

- Quick and hassle-free installation.

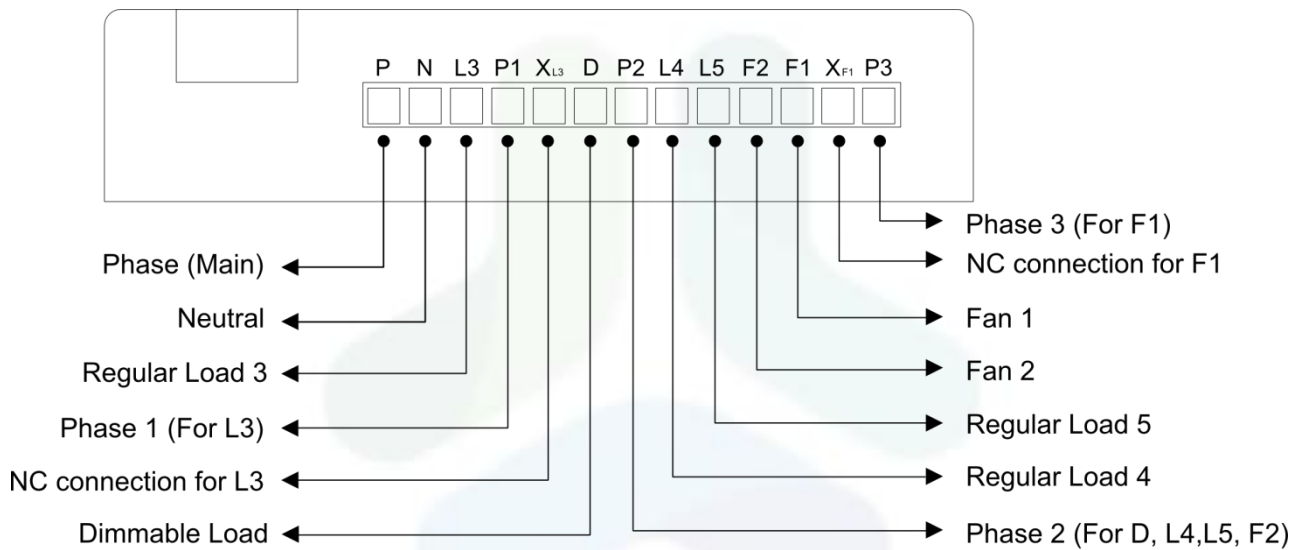
Technical Details

Technical Specification:-

Combination	2 - Humming free fan 1 - Dimmable Load 3 - Normal Load 0 - Heavy Load
Operating Input Voltage	100VAC - 240VAC
Supported Frequency	50-60 Hz
Max. Load (fan point)	1 (Max. 100 watt)
Max. load (per dimmer point)	up to 3 LEDs (Max. 100 watt)
Max. load (per normal load point)	up to 3 LEDs (Max. 1500 watt)
Module size (Product size)	6M
Color	White
Material	ABS
Dimensions	130mm x 58mm x 25mm
Weight	198.7 g
Mode of operation	Physical and Touch remote control
Operating Temperature	0°C - 65°C non condense
Water resistance	No
Shock Proof	Yes
Warranty	5 years

Installation

Wiring Diagram:-



Safety Information:-

- DO NOT install with power applied to the device.
- DO NOT expose the device to moisture.
- Verify input voltage compatibility with the device.
- Secure and label wiring for easy maintenance.